

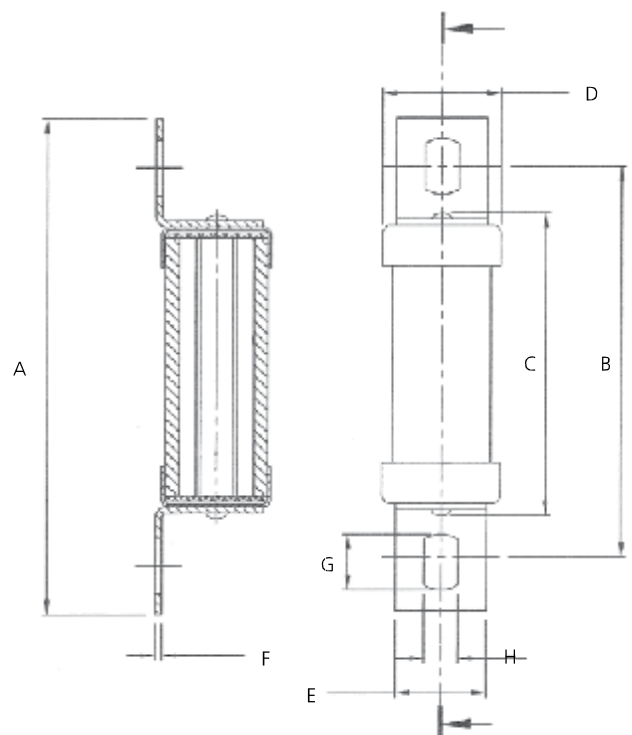
**TCP**  
**TFP**



Type gG for cable and line protection  
Type gM for motor protection

Standards: BS88: Part 6; IEC 60269-2

FUSECO PART NUMBER	AMP RATING	VOLTAGE RATING	UTILISATION CATEGORY	BREAKING CAPACITY AT RATED VOLTAGE
TCP20	20A	415V	gG	80 kA
TCP25	25A	415V	gG	80 kA
TCP32	32A	415V	gG	80 kA
TCP40	40A	415V	gG	80 kA
TCP50	50A	500V	gG	80 kA
TCP63	63A	500V	gG	80 kA
TCP80	80A	500V	gG	80 kA
TCP100	100A	500V	gG	80 kA
TCP100M125	100M125A	415V	gM	80 kA
TCP100M160	100M160A	415V	gM	80 kA
TCP100M200	100M200A	415V	gM	80 kA
TFP125	125A	500V	gG	80 kA
TFP160	160A	500V	gG	80 kA
TFP200	200A	500V	gG	80 kA
TFP200M250	200M250A	415V	gM	80 kA
TFP200M315	200M315A	415V	gM	80 kA



### Dimensions

	CATEGORY	BRAND	A	B	C	D	E	F	G	H
			Overall Length	Fixing Centre	Body Length	Body Diameter	Tag Width	Tag Thickness	Hole Length	Hole Width
TCP20-40	A4	Lawson	110.0	94.0	51.0	22.0	20.0	2.4	11.0	8.7
TCP50-100	A4	FuseMaster	110.0	94.0	64.5	31.8	17.0	2.6	10.0	8.7
TCP100M	A4	Lawson	110.0	94.0	51.0	35.0	20.0	2.4	11.0	8.7
TFP125-200	as A4	FuseMaster	110.0	94.0	73.5	39.5	19.0	2.4	11.0	8.7
TFP200M	as A4	Lawson	110.0	94.0	51.0	41.0	20.0	2.4	11.0	8.7