

NH Disconnect Switch - 3 Pole

690V

Sizes 00 - 3

Features:

- 3 phase fuse switch disconnectors for NH fuse links
- Up to 690VAC operation
- Available in 4 current ratings from 160A up to 630A
- Surface mounted
- Suitable for AC and DC 22B switching capability



PART NO	NH SIZE	MAX AMP RATING	VOLTAGE	MOUNTING	WEIGHT (KG)	PACK QTY
NH00-3DS	00/000	160A	690V	Surface	0.86	1
NH1-3DS	1	250A	690V	Surface	2.24	1
NH2-3DS	2	400A	690V	Surface	3.37	1
NH3-3DS	3	630A	690V	Surface	4.64	1
ELECTRICAL SPECIFICATIONS		SIZE 000/00	SIZE 1	SIZE 2	SIZE 3	
Rated Operational Current (Ith)		160A	250A	400A	630A	
Rated Operational Voltage (Ue)		690V	690V	690V	690V	
Rated Insulation Voltage (Ui)		800V	800V	800V	800V	
Rated frequency		50-60Hz	50-60Hz	50-60Hz	50-60Hz	
Rated conditional short circuit current		50kA	50kA	50kA	50kA	
Max. Power Loss per fuse link		12W	32W	45W	60W	
Degree of protection - Operational		IP20	IP20	IP20	IP20	
Rated duty		Uninterrupted	Uninterrupted	Uninterrupted	Uninterrupted	
Ambient Temperature		-25°C to 55°C	-25°C to 55°C	-25°C to 55°C	-25°C to 55°C	
Terminal Screw Size		M8	M10	M10/M12	M10/M12	
Terminal Screw Torque (nM)		10	21	21	21	
Cable Size (mm ²)		70	120	240	2x185 or 2x(40x5)	
Dimensions (W x H x D)		110 x 185 x 90 (mm)	185 x 247 x 115 (mm)	252 x 292 x 140(mm)	252 x 292 x 140 (mm)	

Approvals:

IEC 60947-3

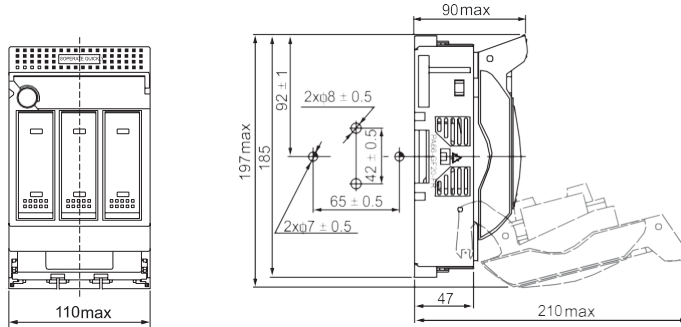


NH Disconnect Switch - 3 Pole

690V

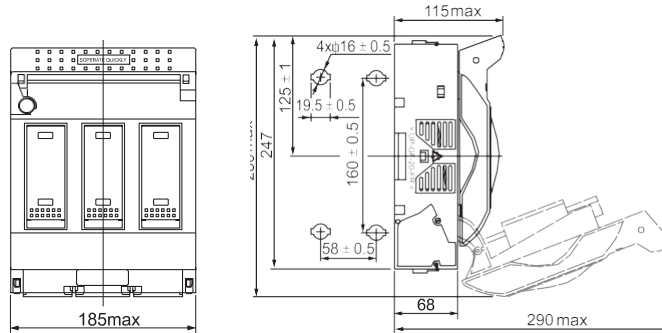
NH00 - 3DS

- To suit NH Size 00/000 fuses
- 160A, 690V
- 3 pole / 3 phase



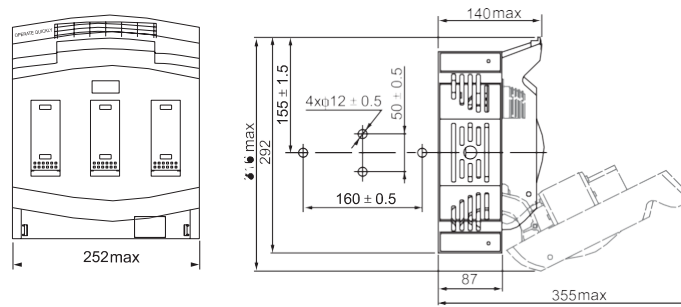
NH1 - 3DS

- To suit NH Size 1 fuses
- 250A, 690V
- 3 pole / 3 phase



NH2 - 3DS

- To suit NH Size 2 fuses
- 400A, 690V
- 3 pole / 3 phase



NH3 - 3DS

- To suit NH Size 3 fuses
- 630A, 690V
- 3 pole / 3 phase

